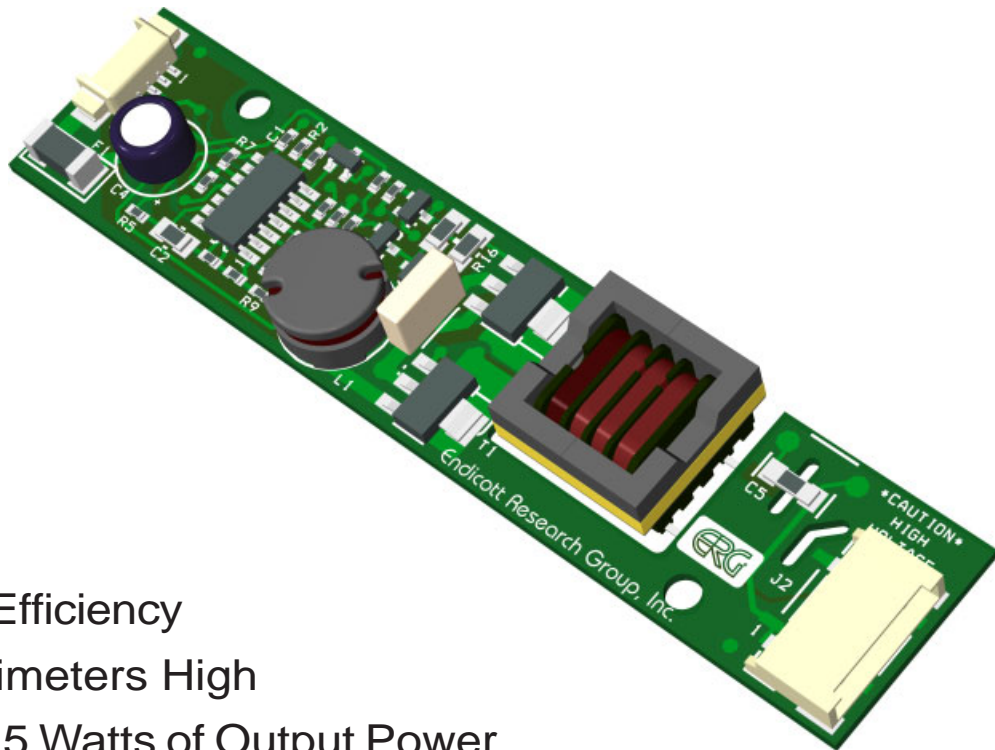


Low Profile Solution for Single Lamp LCD Modules with Onboard Dimming



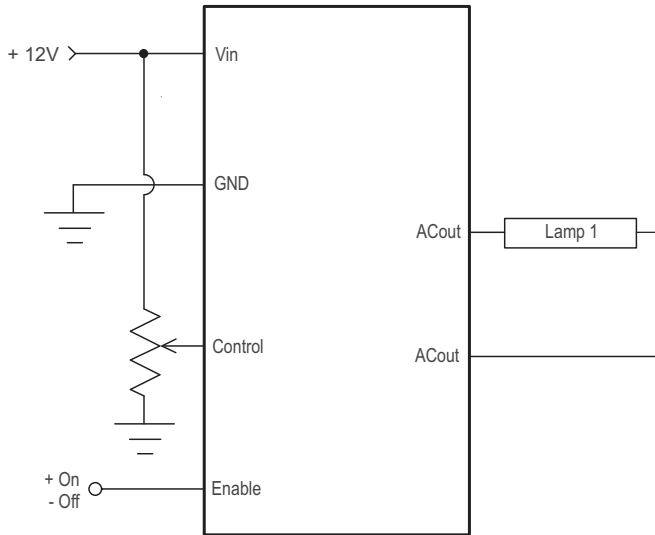
- High Efficiency
- 8 Millimeters High
- Up to 5 Watts of Output Power
- Integrated Input and Output Connectors
- Mounting Hole Compatible with 8m Series
- Integrated PWM Dimming with Analog Control
- Designed, Manufactured and Supported in the USA
- One Year Warranty

8mD Class

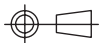
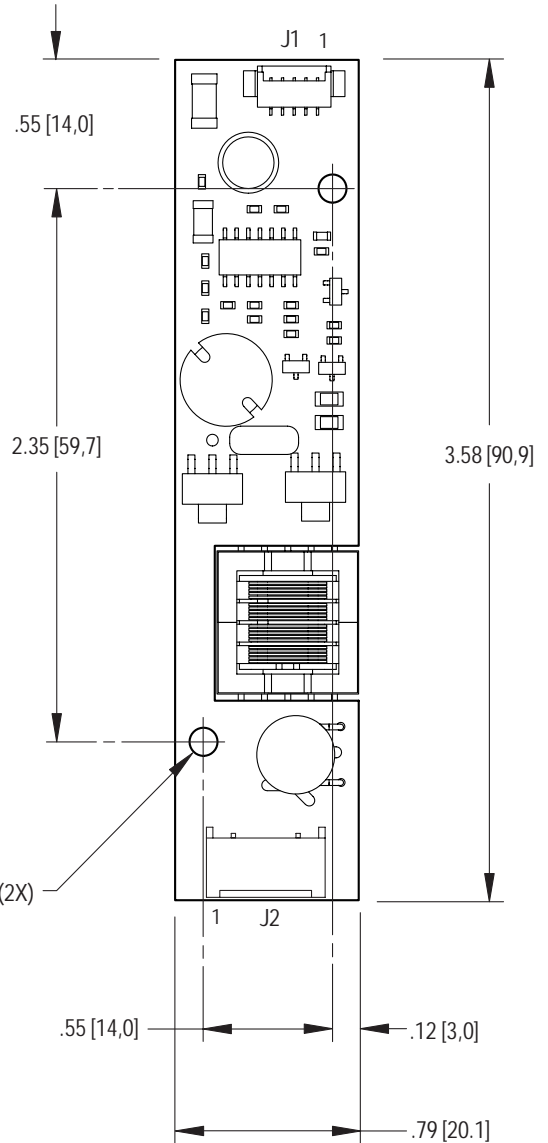


Product Configuration

Typical Application



Pin Designations			
J1-1	Vin	J2-1	ACout
J1-2	GND	J2-2	ACout
J1-3	Enable		
J1-4	Control		
J1-5	N/C		



* This product assembly meets IPC-A-610 Class II Standards.

Mass: 15 grams

Specifications Subject to Change Without Notice



Endicott Research Group, Inc.

2601 Wayne St., Endicott, NY 13760
 607-754-9187 Fax 607-754-9255
<http://www.ergpower.com>