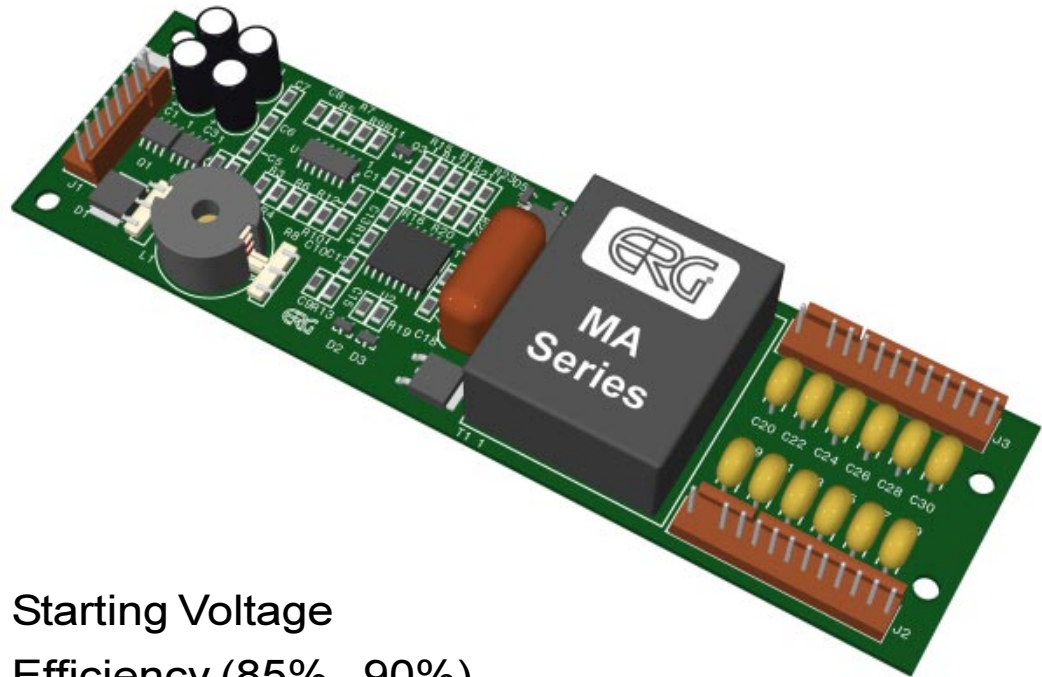


12 Lamp Closed-Loop High Power Dc to Ac Inverter

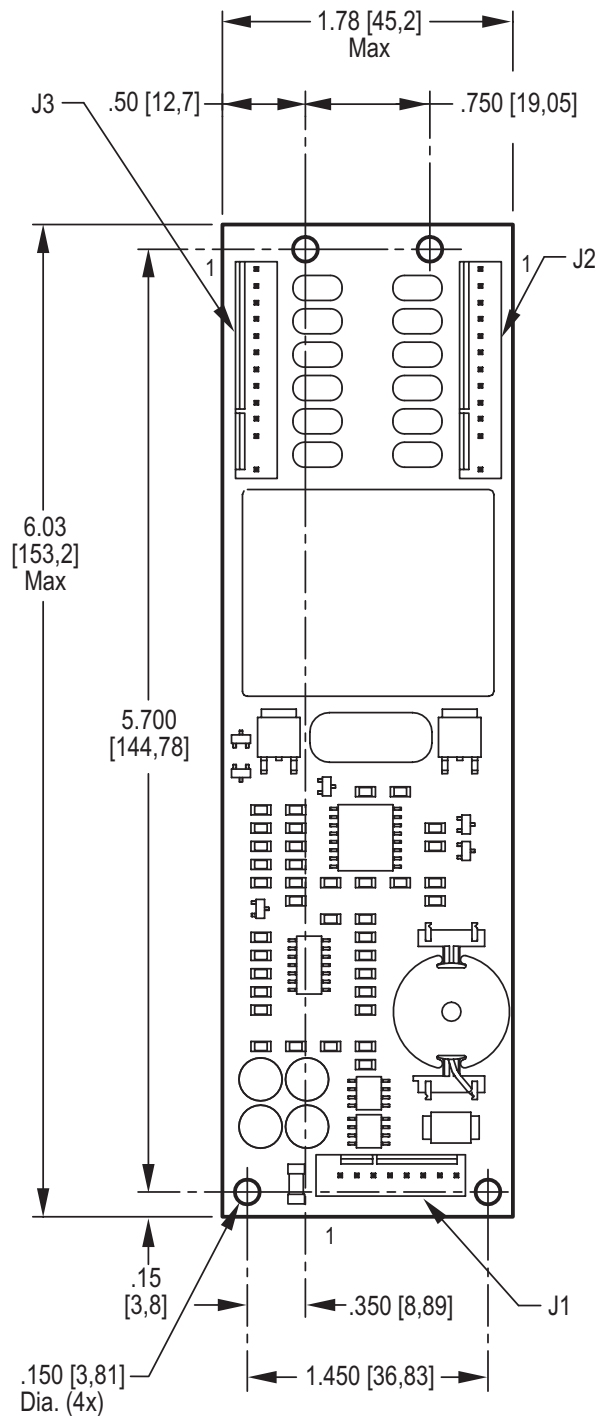


- High Starting Voltage
- High Efficiency (85% - 90%)
- Up To 40 Watts of Output Power
- Voltage or External PWM Dimming
- Stable Dimming to Low Brightness Levels
- Flicker-free 0% - 100% Brightness Control
- Fully Encapsulated Transformer for Increased Reliability
- Designed, Manufactured and Supported in the USA
- One Year Warranty

MA Series



Product Configuration



Pin Designations			
J1-1	Vin	J3-1	Lamp
J1-2	Vin	J3-3	Lamp
J1-3	GND	J3-5	Lamp
J1-4	GND	J3-7	Lamp
J1-5	Control	J3-9	Lamp
J1-6	Disable	J3-11	Lamp
J1-7	PWMOut	J3-13	AC com.
J1-8	Hi-Bright		
J2-1	Lamp		
J2-3	Lamp		
J2-5	Lamp		
J2-7	Lamp		
J2-9	Lamp		
J2-11	Lamp		
J2-13	AC com.		

* This product assembly meets IPC-A-610 Class II Standards.

Mass: 100 grams

Specifications Subject to Change Without Notice



Endicott Research Group, Inc.

2601 Wayne St., Endicott, NY 13760

607-754-9187 Fax 607-754-9255

<http://www.ergpower.com>

MA2 - 05/02