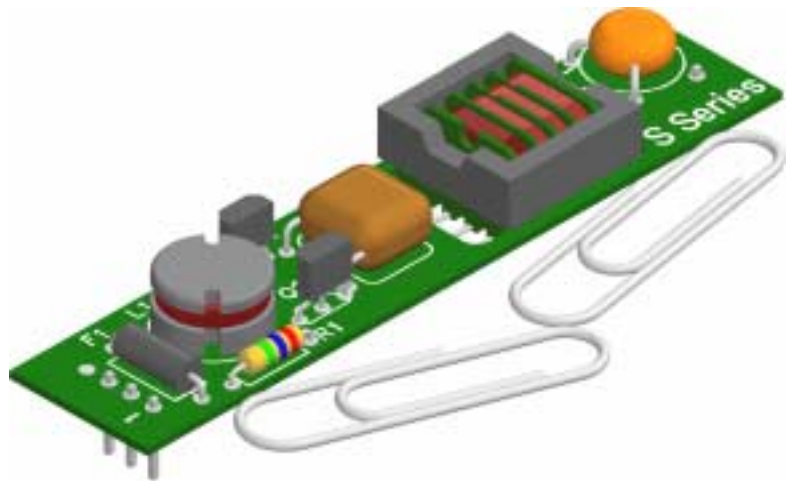


## Single-Tube Low Profile Dc to Ac Inverter

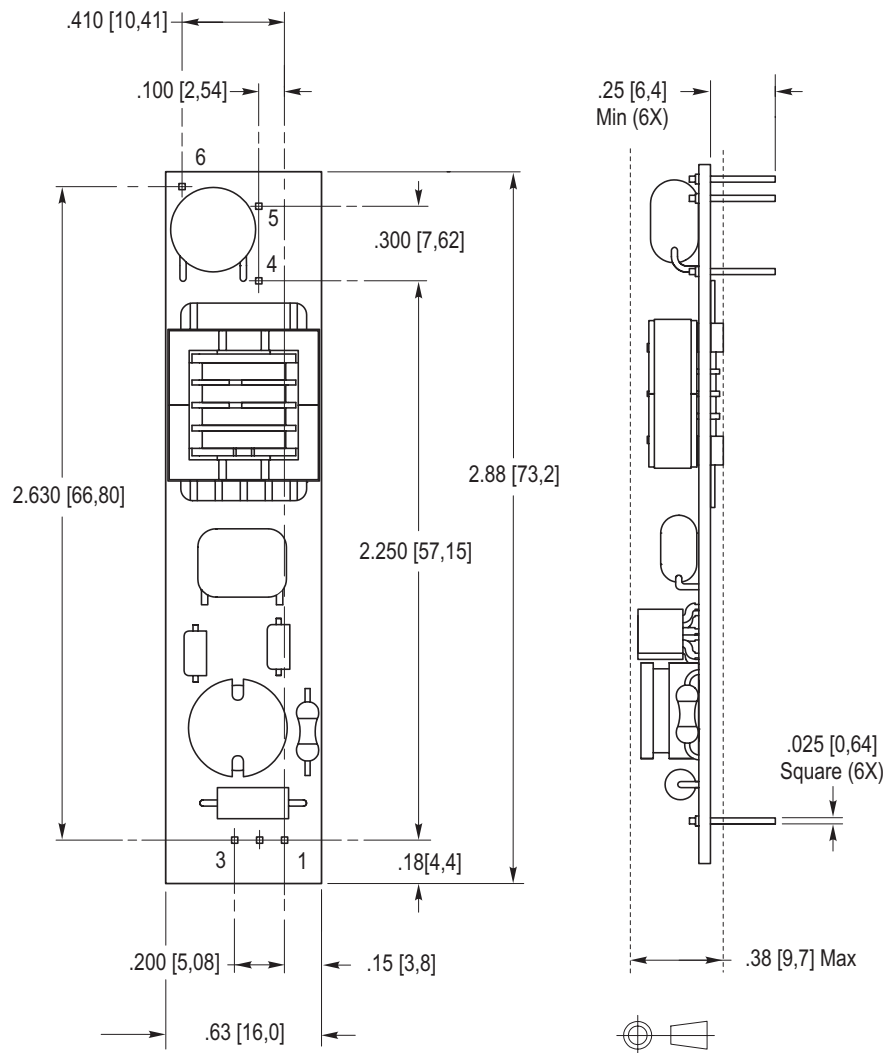


- High Efficiency (85% - 90%)
- Low Cost, Small Size
- PCB Mountable
- External Control and PWM Dimming
- 8 Millimeters High
- Designed, Manufactured and Supported in the USA
- One Year Warranty
- Up to 5 Watts of Output Power
- Standard Display-Matched and Custom Designs Available

# S Series



## Product Configuration



\* This product assembly meets IPC-A-610 Class II Standards.

Mass: 12 grams

### Pin Designations

1	Vin (-)
2	Vin (+)
3	Control
4	Vout
5	Vout
6	NC

Specifications Subject to Change Without Notice



Endicott Research Group, Inc.  
 2601 Wayne Street, Endicott, NY 13760  
 607-754-9187 Fax 607-754-9255  
<http://www.ergpower.com>